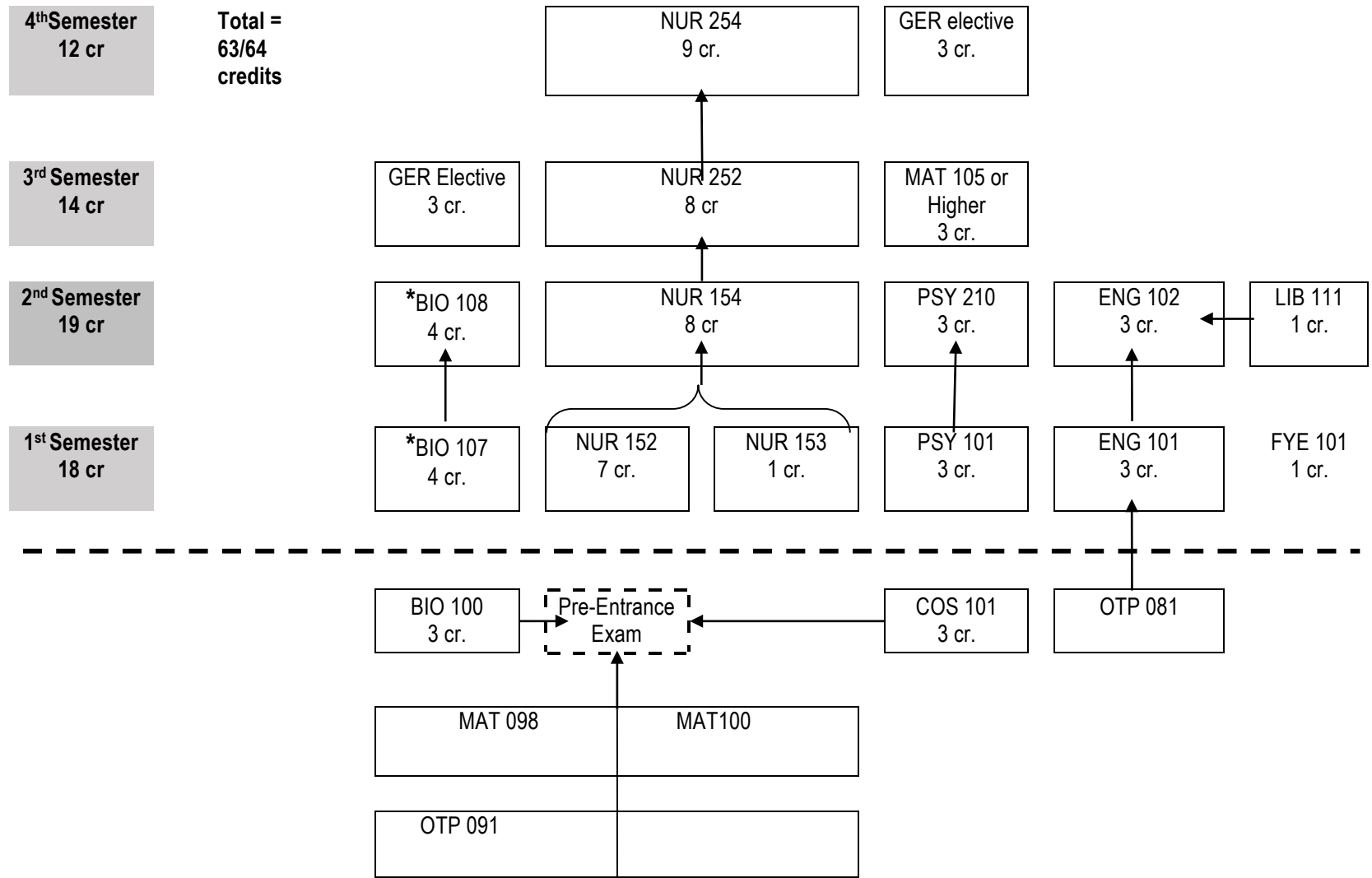


NURSING CURRICULUM MAP 2017



Name: _____

Advisor: _____

Date: _____